



SMA



Electrical

Impedance	50 Ohms
Operating Frequency	DC to 26 GHz
VSWR	
Straight	1.05 + .005 x Freq GHz
Right angle (non swept)	1.10 + .010 x Freq GHz
Right angle (swept)	1.10 + .007 x Freq GHz
Insertion Loss	
Straight	.03 x Sqrt(Freq GHz)
Right angle (non swept)	.06 x Sqrt (Freq GHz) (12 GHz Max.)
Right angle (swept)	.04 x Sqrt (freq GHz)
Dielectric Withstanding Voltage (60 Hz)	
Sea level	1500 Volts RMS Min
Insulation Resistance	5000 Megaohms
Voltage Rating	335 Volts RMS Max
RF leakage	>-100 dB

Mechanical

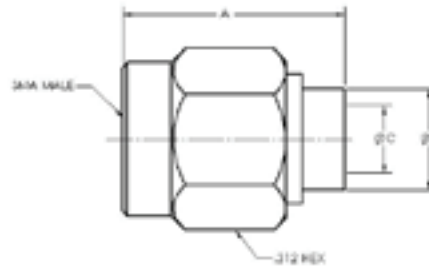
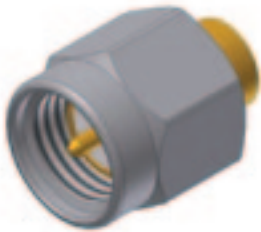
Durability	500 cycles Min.
Force to Engage/Disengage	2.0 lb Max.
Recommended Torque	7 to 10 in-lb

Environmental

Operating Temperature	-65°C to +165°C
Storage Temperature	-65°C to +200°C
Corrosion	MIL-STD-202, Method 101 Test Condition B, 5% Salt Solution
Vibration	MIL-STD-202, Method 204 Test Condition B, 15 min/axis
Random Vibration	MIL-STD-202, Method 214 Test Condition F, 15 min/axis
Mechanical Shock	MIL-STD-202, Method 213 Test Condition I, 100g's Sawtooth Axis
Thermal Shock	MIL-STD-202, Method 107 Test Condition B, +165°C High Temp.

SMA STRAIGHT CABLE PLUG CONTACT

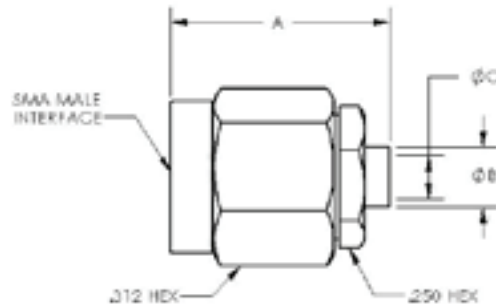
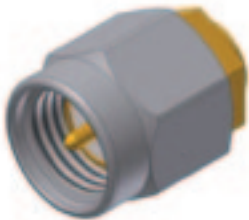
Cable Type	Cristek Part Number	Dim A	Dim B	Dim C
SR086	MA-AMCS-01-001	.440	.120	.090
SR141	MA-AMCS-03-002	.440	.180	.145



SMA

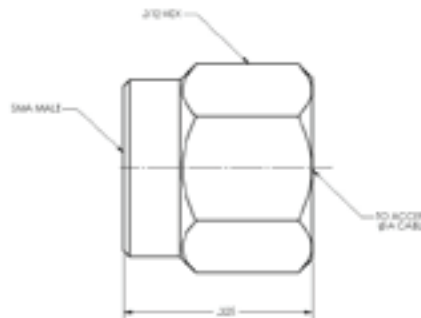
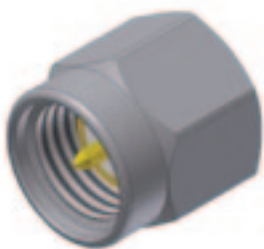
SMA STRAIGHT CABLE PLUG WITH ANTI-TORQUE HEX

Cable Type	Cristek Part Number	Dim A	Dim B	Dim C
SR086	MA-AMCA-01-001	.440	.120	.090
SR141	MA-AMCA-03-001	.440	.180	.145



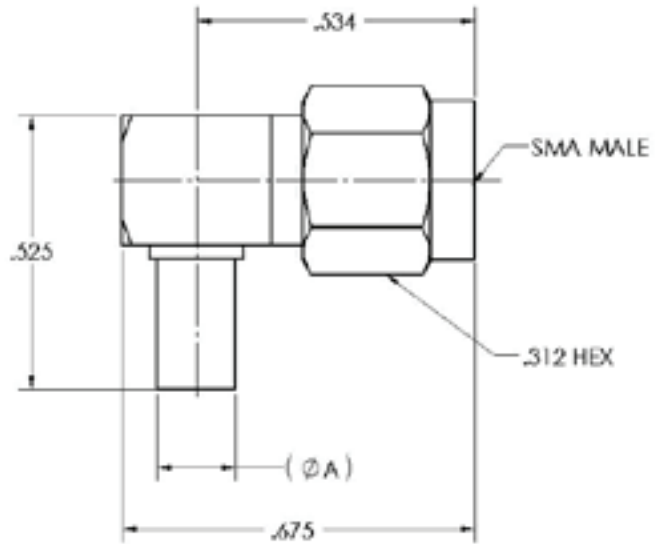
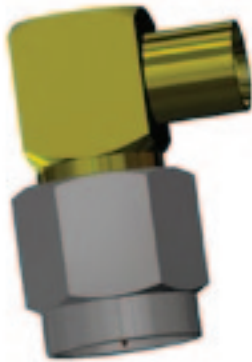
SMA MALE, LOW PROFILE, CAPTIVE CONTACT

Cable Type	Cristek Part Number	Dim A
SR141	MA-AMCS-01-002	.330



SMA, PLUG, RIGHT ANGLE, SEMI RIGID CABLE

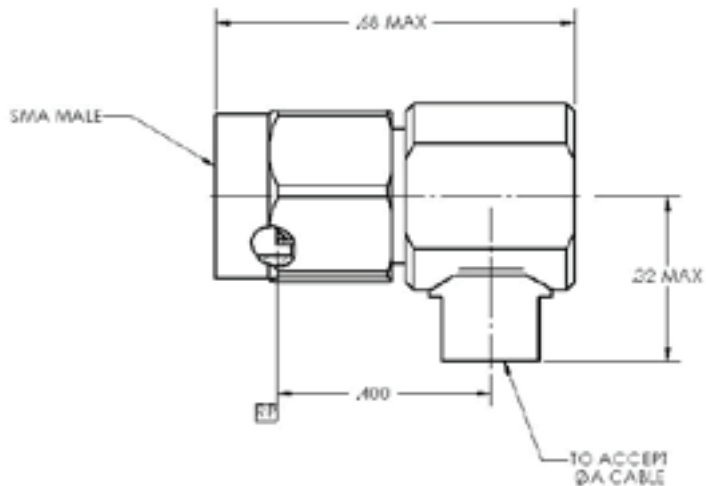
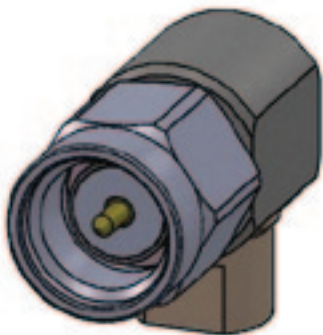
Cable Type	Cristek Part Number	Dim A
SR086	MA-AMCR-01-001	.120
SR141	MA-AMCR-03-001	.180



SMA

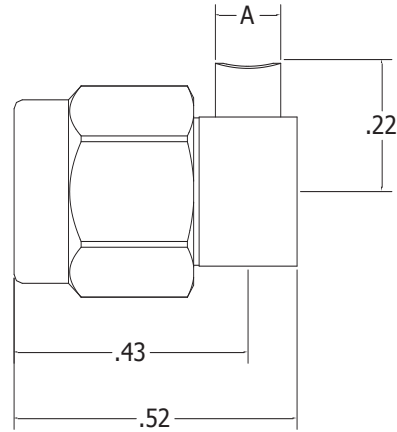
SMA PLUG, RIGHT ANGLE, SWEEP CONTACT

Cable Type	Cristek Part Number	Dim A
SR086	MAI-AMCN-01-001	.086
SR141	MAI-AMCN-03-001	.141



SMA PLUG, RIGHT ANGLE, LOW PROFILE

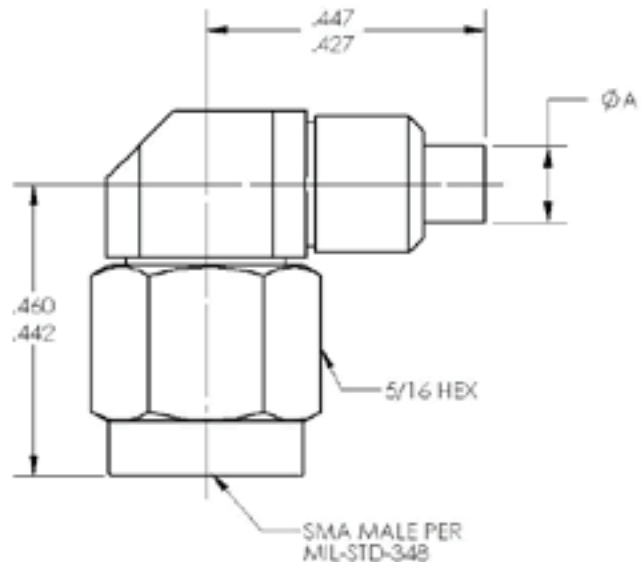
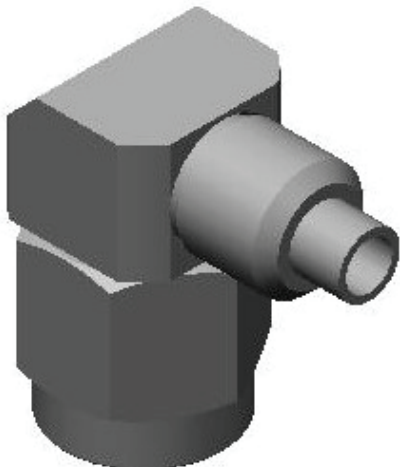
Cable Type	Cristek Part Number	Dim A
SR086	MAI-AMCR-01-002	.120
SR141	MAI-AMCR-03-002	.180



SMA

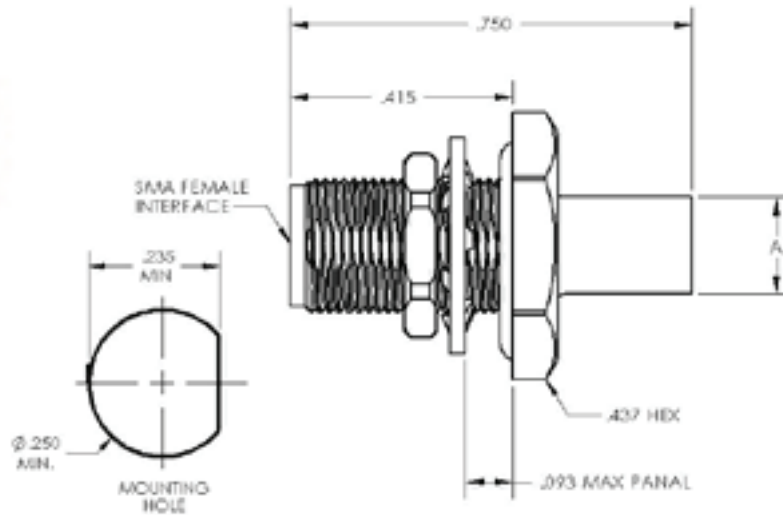
SMA PLUG, RIGHT ANGLE, LOW PROFILE, SWEEP CONTACT

Cable Type	Cristek PN	Dim A
SR086	MAI-AMCN-01-002	.120
SR141	MAI-AMCN-03-002	.180



SMA FEMALE , BULKHEAD

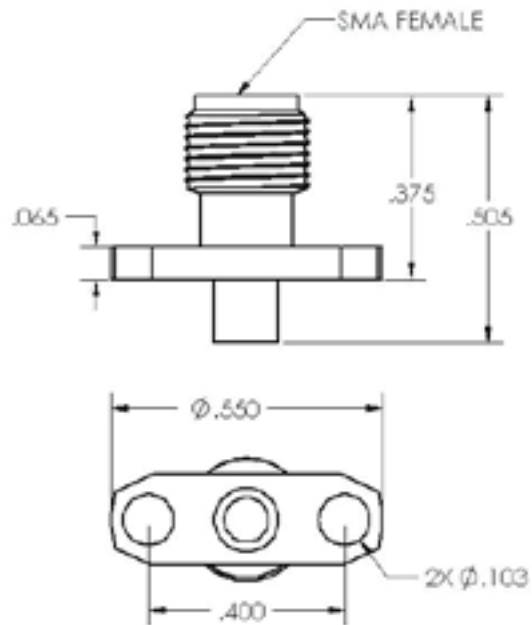
Cable Type	Cristek Part Number	Dim A
SR086	MA-AFCK-01-001	.120
SR141	MA-AFCK-03-001	.180



SMA

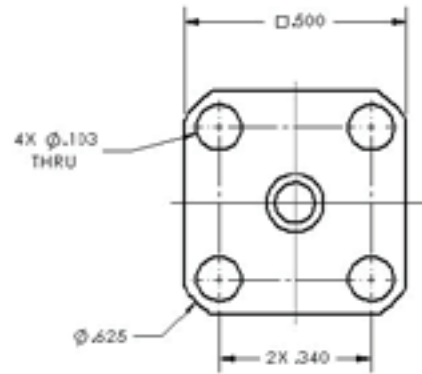
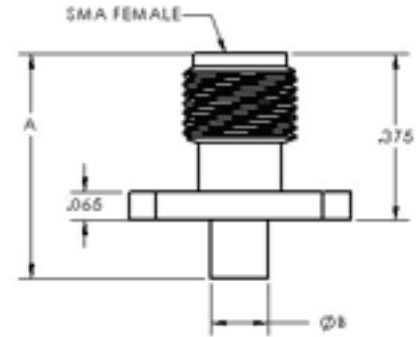
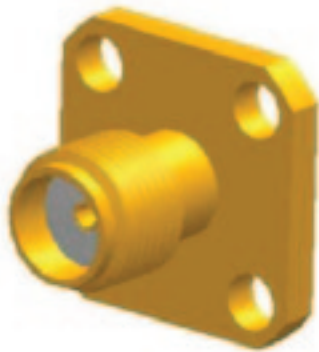
SMA FEMALE, 2 HOLE FLNAGE

Cable Type	Cristek Part Number	Dim A	Dim B
SR.086	MA1-AFCF-01-001	.265	.120
SR.141	MA1-AFCF-03-001	.230	.180



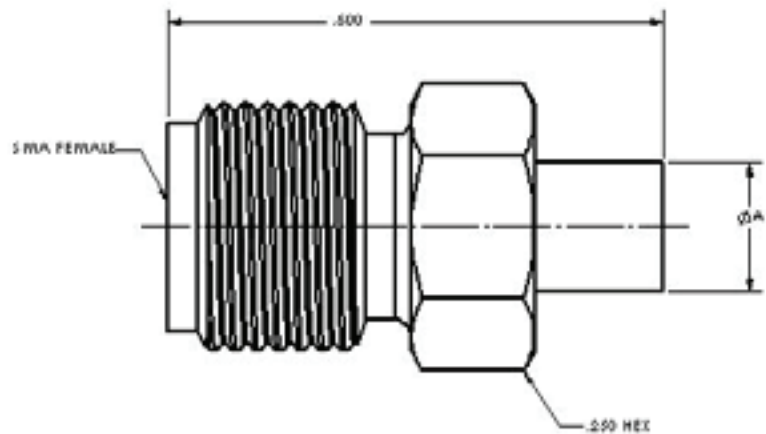
SMA JACK, 4 HOLE FLANGE

Cable Type	Cristek PN	Dim A	Dim B
SR086	MA-AFCG-01-001	.500	.120
SR141	MA-AFCG-03-001	.550	.180



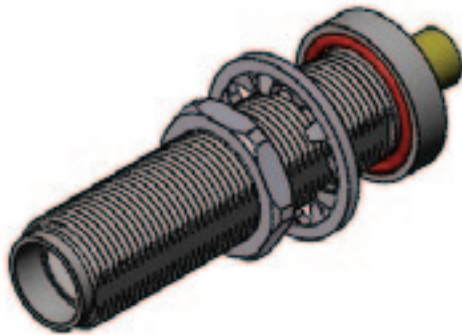
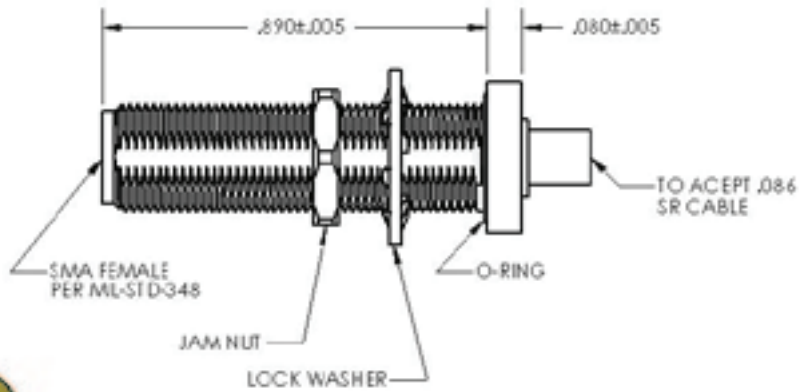
SMA JACK, STRAIGHT

Cable Type	Cristek Part Number	Dim A
SR086	MA-AFCA-01-001	.120
SR141	MA-AFCA-03-001	.180



SMA JACK , HERMETIC BULKHEAD

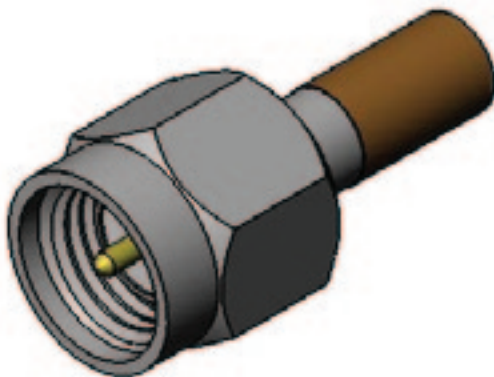
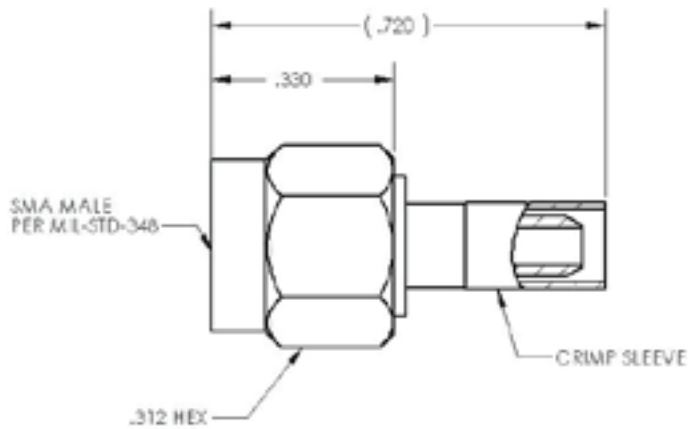
Cable Type	Cristek Part Number
SR086	MA-AFCK-01-002



SMA

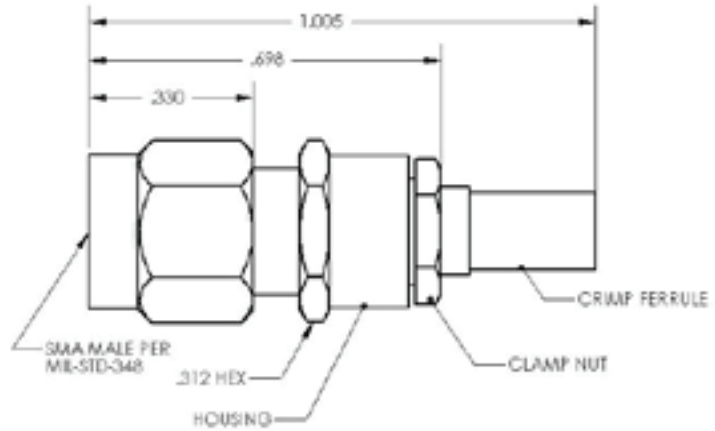
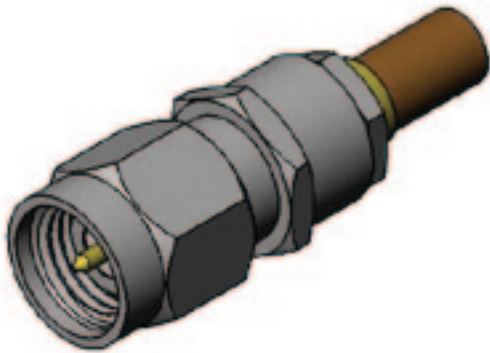
SMA PLUG , STRAIGHT CRIMP

Cable Type	Cristek Part Number
RG316	MA-AMCS-06-001
RD316	MA-AMCS-13-001
RG142	MA-AMCS-07-001



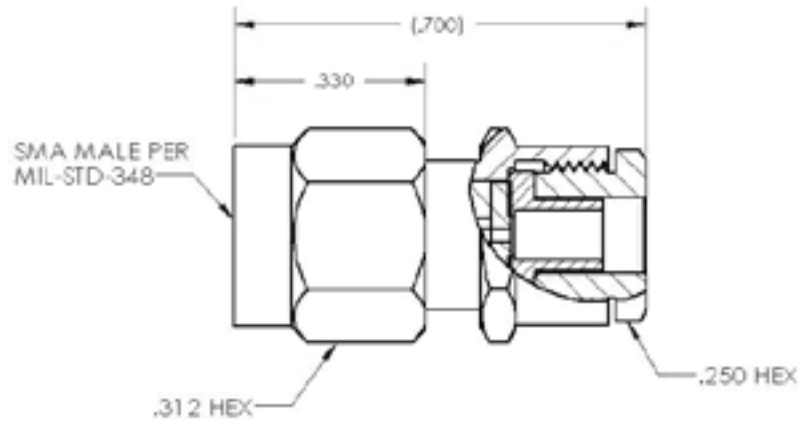
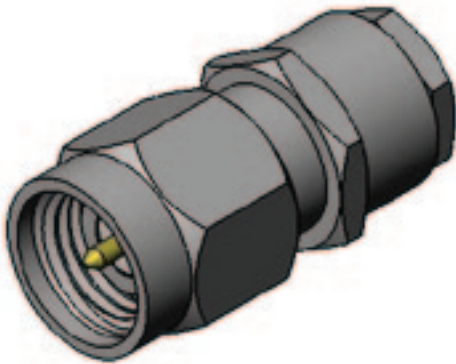
SMA STRAIGHT MALE , CRIMP CLAMP

Cable Type	Cristek Part Number
RG316	MA-AMCS-06-002
RD316	MA-AMCS-13-002
RG142	MA-AMCS-07-002



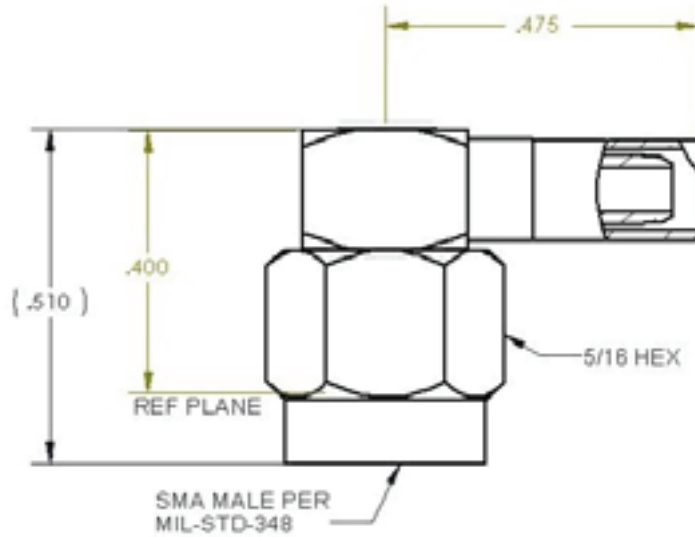
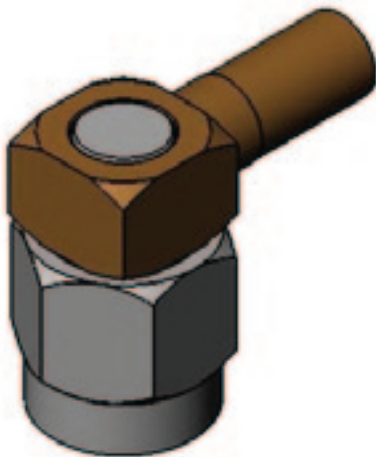
SMA STRAIGHT MALE , SOLDER CLAMP

Cable Type	Cristek Part Number
RG316	MA-AMCS-06-003
RD316	MA-AMCS-13-003
RG142	MA-AMCS-07-003



SMA PLUG , RIGHT ANGLE CRIMP LOW PROFILE

Cable Type	Cristek Part Number
RG316	MA-AMCR-06-001
RD316	MA-AMCR-13-001



SMA